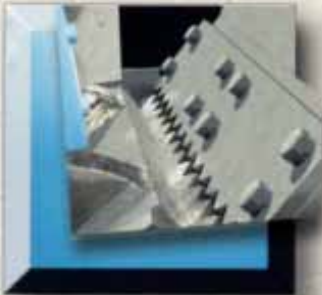


# STEDMAN

CATALOG NO. 624

## **GRAND SLAM™** **WASTE RECYCLER**

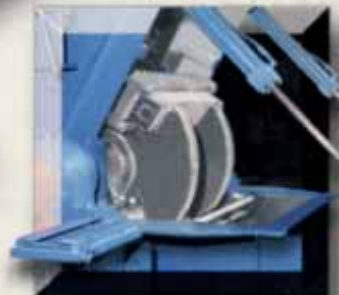
- Economical Operation
- Low Horsepower Requirements
- Capacities to 100 Tons per Hour
- Wet or Dry Materials
- Combines Impact with Shear
- Easily Shreds Product Packaging and Plastic Films



ADJUSTABLE PRODUCT CONTROL



FOUR TURN SHREDDER BARS FOR EXTENDED LIFE BEFORE CHANGE-OUT

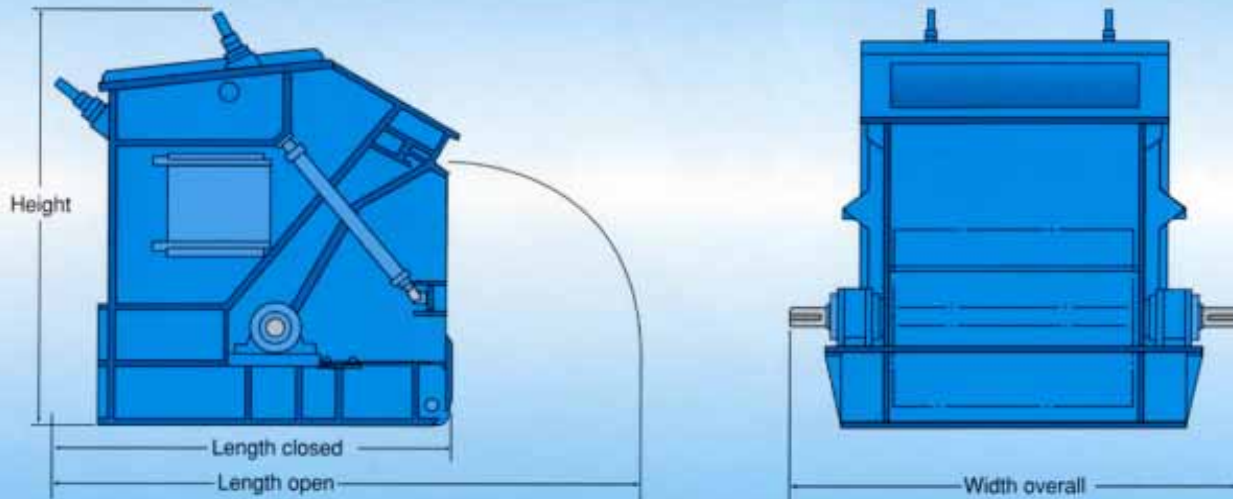


EXCLUSIVE ROTOR-LOCK & HYDRAULIC HOUSING ACTUATION FOR EASY SERVICING



ONE-PIECE GRATE BAR ASSEMBLIES REQUIRE ONLY MINIMAL DOWNTIME FOR REPLACEMENT

# STEDMAN GRAND SLAM™ Waste Recycler



Stedman's Waste Recyclers are guaranteed to reduce your maintenance time and expense. The Waste Recycler is designed for sizing hundreds of materials and agglomerated wastes. It is particularly suited to process wet and tacky, as well as dry or fibrous materials into a carefully controlled, uniform particle size.

Model Number	Rotor Dia. x Rotor Width Inches	Capacity Range <sup>2</sup> TPH	Net Inlet Opening H x W Inches	Height Inches	Width (Overall) Inches	Length Closed/Open Inches	Crusher Weight Lbs.
GSB 2424	24 x 24	0 - 5	17 x 25	63	58	63 80	5,500
GSB 3034	30 x 34	10 - 15	15 x 31	79	77	74 113	6,500
GSB 3634	36 x 34	20 - 25	16 x 31	88	84	79 127	9,000
GSB 4234	42 x 34	30 - 50	19 x 31	98	84	87 142	12,000
GSB 4264	42 x 64	60 - 100	19 x 61	98	114	87 142	18,000

Technical data subject to change without notice.



## Custom Engineered System Solutions

**Complete full-size Test Plant for particle size reduction, processing and material handling system analysis.**

**Full-scale testing:** Crushing systems are available to process wet and tacky as well as dry materials, for particle sizes from -30 inches down to 200 mesh. Whether hard minerals, limestone, coal, metal or raw garbage, call us for one of our 10,000 application reports on file.

**Computer process simulations:** Available to produce screen and scalping area calculations, performance reports and flow diagrams.

**Test before you buy:** For a full-size equipment test in our laboratory, provide us with 200-300 lbs. of your feed material. We will help you select just the right equipment for your job. Call for further details.

### STEDMAN MACHINE COMPANY

P.O. BOX 299 • AURORA, INDIANA 47001  
Phone: (800) 262-5401, (812) 926-0038  
Fax: (812) 926-3482



1 - 8 0 0 - 2 6 2 - 5 4 0 1

Web Site: <http://www.stedman-machine.com>  
E-Mail: [sales@stedman-machine.com](mailto:sales@stedman-machine.com)