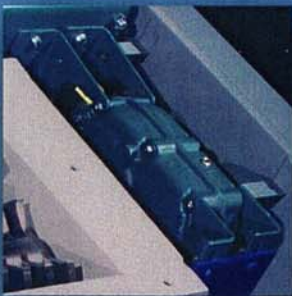
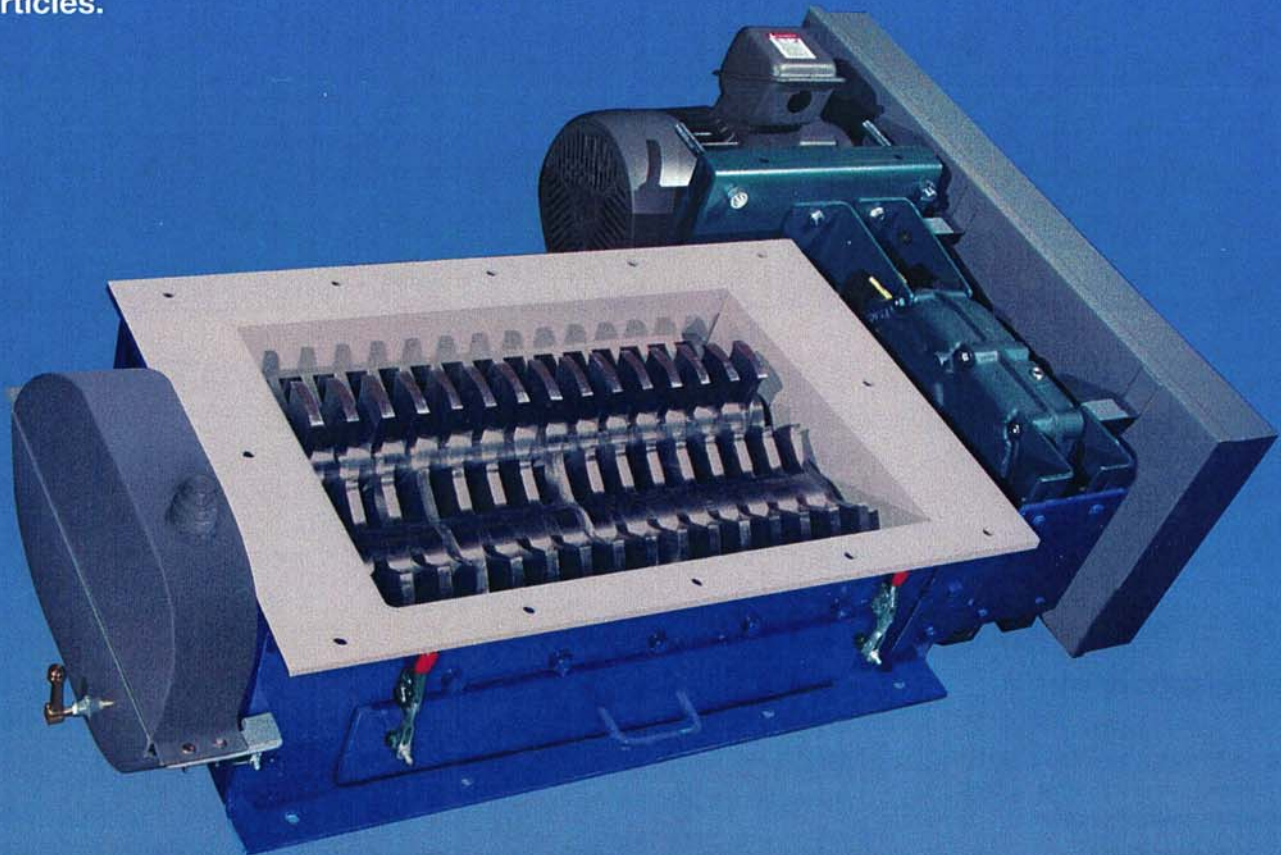


STEDMAN

CATALOG NO. 620

Aurora™ Dual Rotor Crusher

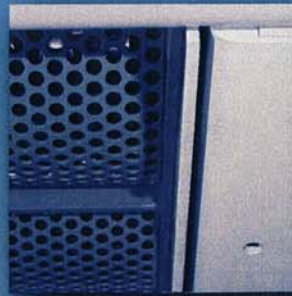
- Dual shaft design produces a higher throughput and smaller particles.
- Combs are machined out of a solid block of metal for additional strength.
- Ideal when lumpbreaking for pneumatic conveying or unloading.



Taper-Lock Shaft Mounted Reducer eliminates gearbox wobble when operating.



Screen-In-A-Drawer makes maintenance easy.

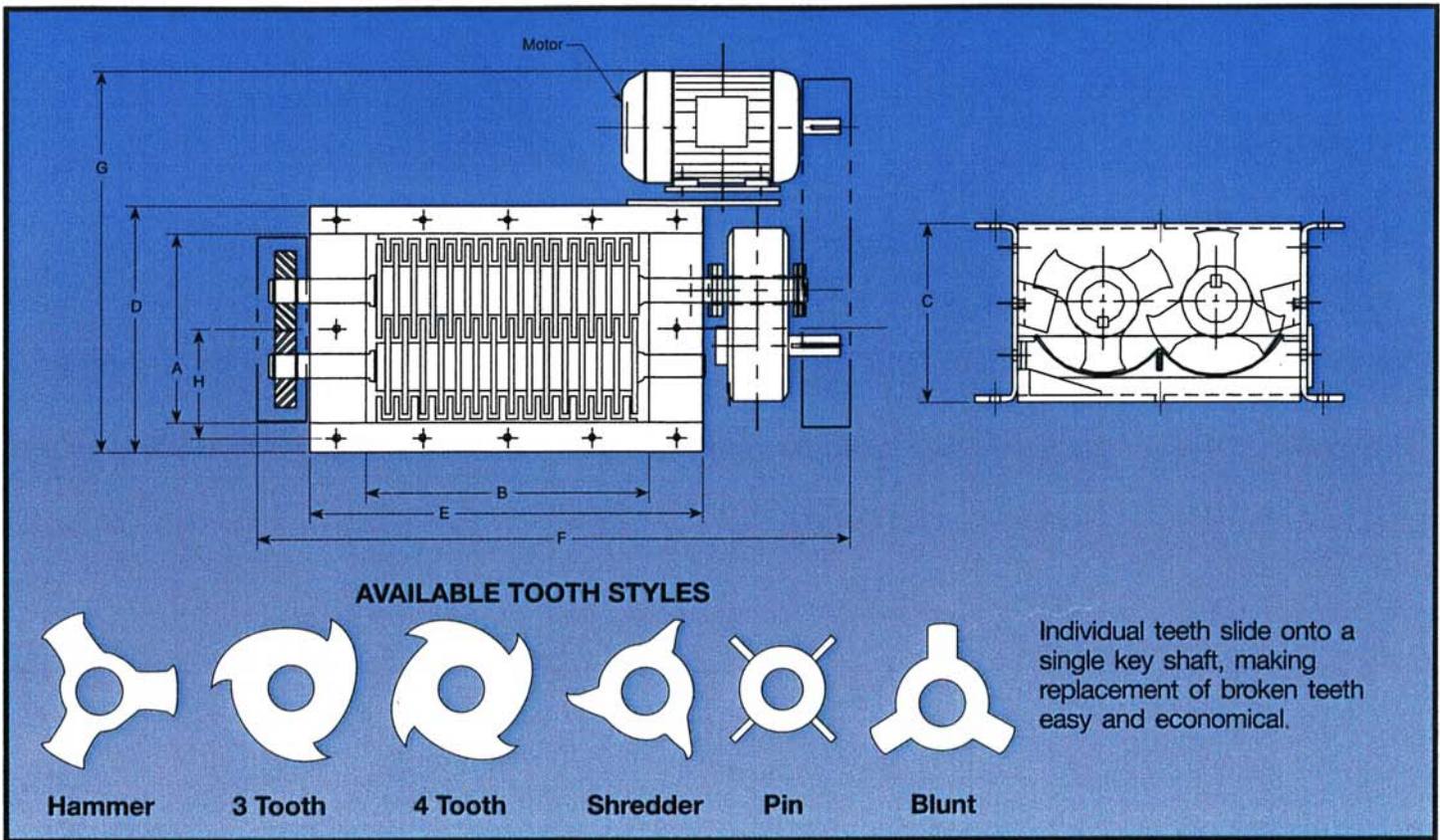


Double End Wall construction helps protect seals and bearings by preventing blowouts.



Heavy Duty Spur Gears run in an oil bath. Reservoir/guard is oil tight and comes with an oil level sight gauge.

Aurora Dual Rotor Crusher Specifications¹



Model	A	B	C	D	E	F	G	H	Max HP
DR 12x12	12	12	11.5	18	23.5	42.88	41.38	5.25	10
DR 12x24	12	24	11.5	18	35.5	54.88	41.38	5.25	10
DR 16x16	16	16	12.5	22	27.5	46.63	41.38	6.5	15
DR 16x24	16	24	12.5	22	35.5	54.63	41.38	6.5	15
DR 20x20	20	20	12.5	26	30.25	53.88	45	11.75	20
DR 20x30	20	30	12.5	26	41.5	63.88	45	11.75	20

¹ Technical data subject to change without notice. All dimensions in inches unless otherwise noted. Caution: Do not use these dimensions for construction purposes.

Rugged Construction

- Standard construction is high strength carbon steel. Sanitary 304 stainless steel or other alloys are available to suit your requirements.
- Stuffing box seals are standard. Air purge, mechanical and sanitary seals are available.
- Sealed pillow block bearings are mounted foot-to-foot for higher strength and increased life.
- Custom sizes can be designed and built to your specifications.

Ideal for lumpbreaking these materials:

- Filter cake
- Frozen vegetables
- Phenolic resin blocks
- Rework candy
- Salt or crystalline material
- Dryer discharge material
- Dryer feed material
- Detergents and soap
- Rendered products
- Solid waste products

We invite you to test your product in a full-size Aurora Crusher.

Stedman has one of the finest testing facilities available. With over 163 years of experience, many materials already have test reports on file.

For a full-size equipment test in our laboratory, provide us with 200-300 lbs. of your feed material. We will help you select just the right equipment for your job. Call for further details.

Originator of the Cage Mill

SINCE 1834

STEDMAN

1-800-262-5401

STEDMAN MACHINE COMPANY • P. O. BOX 299 • AURORA, INDIANA 47001 • PHONE (812) 926-0038 • FAX (812) 926-3482
E-Mail: sales@stedman-machine.com • Web Site: <http://www.stedman-machine.com>