

LUMPBREAKER

AURORA™

Single & Dual Rotor Crusher



Dual Shaft
Produces higher throughput
and smaller particles



Shaft Mounted Reducer
Reduces unit footprint



Ideal when de-clumping for
pneumatic conveying or
unloading



Stuffing Box Seals
Provides blow-out protection



Superior Strength Combs
for longer wear life



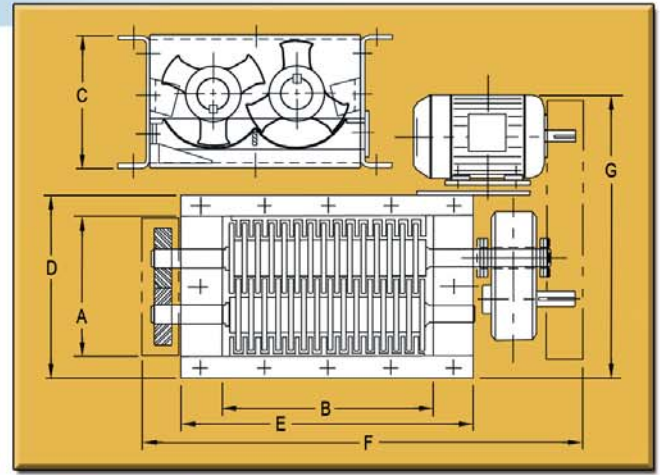
Removable easy access
screen drawer with opening
sizes down to 1/8"

178 Years of Experience



Features and Options:

- High Strength Carbon Steel
- Compact low profile design
- Double end wall construction protects seals and bearings by preventing blowouts.
- Sealed pillow block bearings are mounted foot to foot for higher strength and increased life.
- Heavy duty spur gears run in an oil bath. Reservoir/guard is oil tight and comes with an oil sight gauge.
- Stainless Steels and other alloys (Optional)
- Air Purge, mechanical and sanitary seals (Optional)
- Stuffing box seals
- Easy screen access



Model	A	B	C	D	E	F	G	Max HP
DR 12x12	12	12	11.5	18	23.5	42.88	41.38	10
DR 12x24	12	24	11.5	18	35.5	54.88	41.38	10
DR 16x16	16	16	12.5	22	27.5	46.63	41.38	15
DR 16x24	16	24	12.5	22	35.5	54.63	41.38	15
DR 20x20	20	20	12.5	26	30.25	53.88	45	20
DR 20x30	20	30	12.5	26	41.5	63.88	45	20

Custom Sizes Available

Available Tooth Styles



Hammer



Shredder



3 Tooth



4 Tooth



Pin



Blunt

¹ Technical data subject to change without notice. All dimensions in inches unless otherwise noted. Caution: Do not use these dimensions for construction purposes.

Aurora Crushers are Ideal for de-clumping these materials:

- Slag
- Filter cake
- Frozen vegetables
- Rendered products
- Solid waste products
- Phenolic resin blocks
- Dryer discharge material
- Salts or crystalline material
- Detergents and soap
 - Petroleum coke
 - Glass bottles
 - Clay & Sand
 - Plate glass
 - Fertilizer
 - Gypsum
 - Coal

Flanged intake and discharge provides simple integration into existing chutework.



Custom stands, hoppers, and feeders are available for all Aurora Crushers

We invite you to test your product in a full-size Aurora Crusher.



Stedman has one of the finest testing facilities available. With over 178 years experience, many materials already have test reports on file.

For a full-size equipment test in our laboratory, provide us with 200-300 lbs. of your feed material. We will help you select just the right equipment for your job.

For more details CALL US TODAY!



Website: www.stedman-machine.com

1-800-262-5401

E-mail: sales@stedman-machine.com